

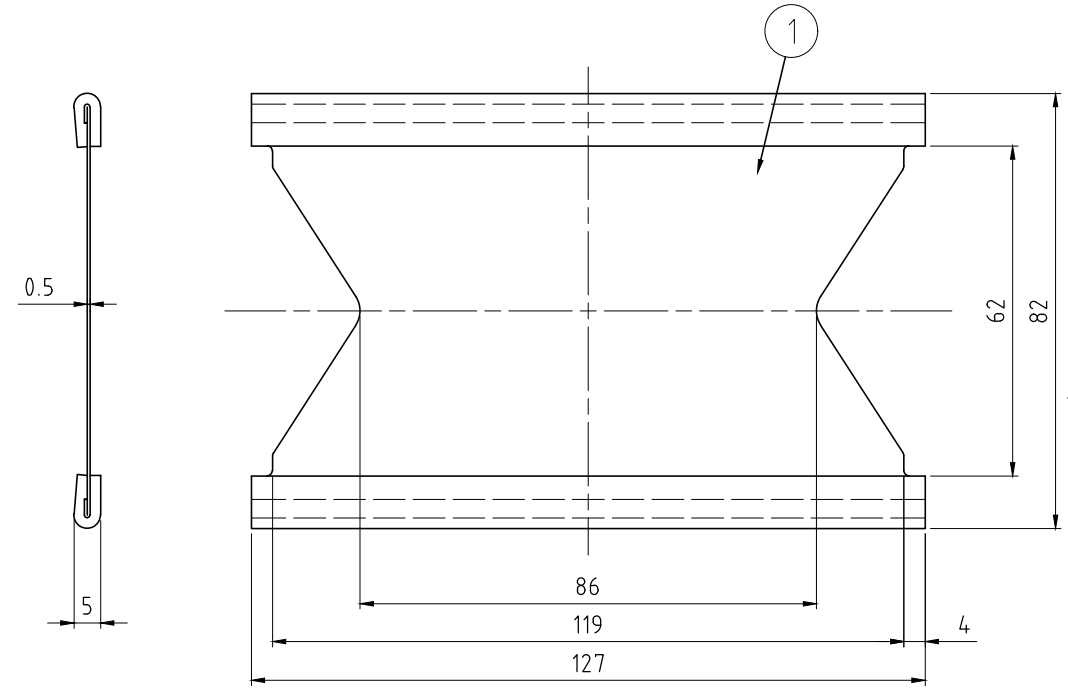
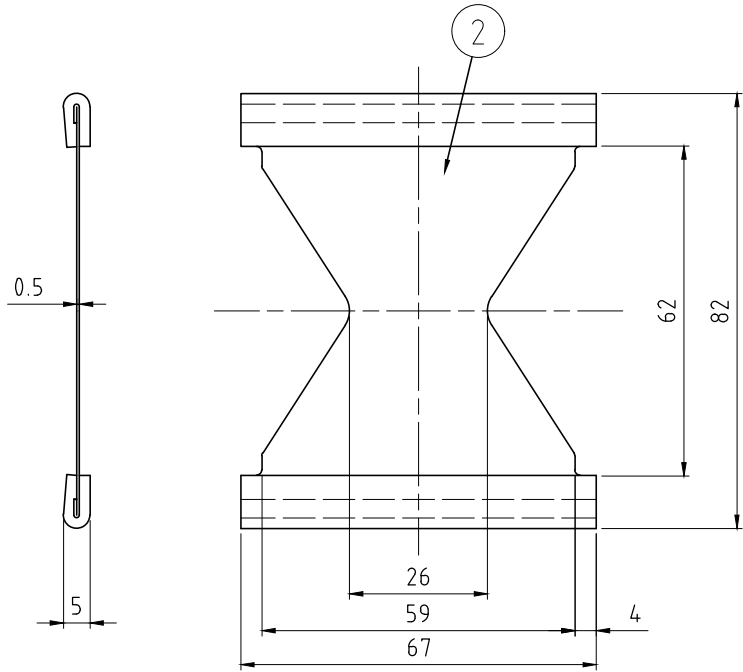
烙克赛克保留所有权利。未经授权严禁复制，
使用以及向第三方泄露。

All rights reserved. Unauthorized reproduction, use
or disclosure to third parties is strictly forbidden.


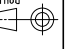
Rev 2.0

MATERIAL ACIDPROOF STAINLESS STEEL

MATERIAL HOT DIP GALVANIZED STEEL



E	GENERAL UPDATE.	2019-04-01	se-jenboh
Rev	Type of revision	Date	Sign

2	-	STAYPLATE 60										-
1	-	STAYPLATE 120										-
Item	Qty	Designation	Specification								Net Weight	
General Tolerances used for manufacturing shown in document DOC-00280			Designed by	Created Date	Latest save date	Format	Scale	Sheet no		Total Weight		
			se-joahel	2003-11-03	2019-04-01	A3	1:1			-		
 www.roxtec.com			Title		Projection method		Drawing number		Rev			
			STAYPLATE SP 60, SP 120				S1005548		E			
			Restricted due to				Information drawing					

Information drawings show general design and nominal dimensions if not else stated